



# 90W (1/8 HP)

## TERMINAL BOX TYPE REVERSIBLE MOTORS Frame size 90mm sq. (3.54 in. sq.)

Single-Phase

BOX TYPE

### SPECIFICATIONS

30MIN. DUTY, INSULATION CLASS A or E, 4POLES

Model	Output		Voltage (V)	Frequency (Hz)	Rated						Starting Torque			Capacitor ( $\mu$ F)
	(HP)	(W)			Input (W)	Current (A)	Torque			Speed (rpm)	(kg-cm)	(N-m)	(oz-in)	
							(kg-cm)	(N-m)	(oz-in)					
<b>L9R90□C HTB</b>	1/8	90	1 $\varnothing$ 100	50	230	2.0	6.8	0.666	94.43	1300	6.7	0.657	93.04	35
<b>L9R90□D HTB</b>	1/8	90	1 $\varnothing$ 200	50	230	1.0	6.8	0.666	94.43	1300	6.7	0.657	93.04	
<b>L9R90□B HTB</b>	1/8	90	1 $\varnothing$ 220	60	250	1.15	5.5	0.539	76.38	1600	8.2	0.804	113.87	8.5
<b>L9R90□E HTB</b>	1/8	90	1 $\varnothing$ 115	60	230	1.7	5.5	0.539	76.38	1600	6.5	0.637	90.27	20
<b>L9R90□X HTB</b>	1/8	90	1 $\varnothing$ 220~240	50	230	1.0	6.8	0.666	94.43	1300	7.6	0.745	105.54	8

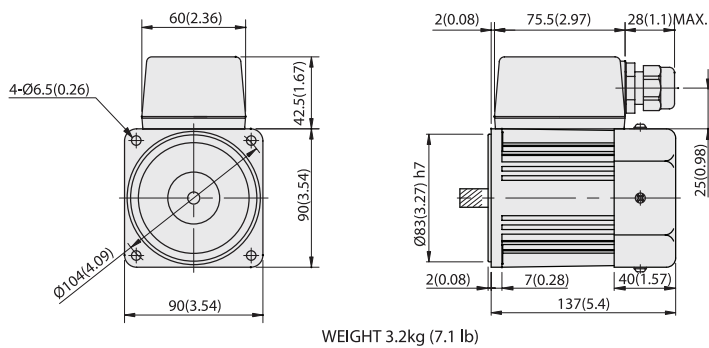
- \* Model in grey screen represents the motors with THERMALLY PROTECTED according to UL regulation.
- \* Model in dark grey screen represents the motors with THERMALLY PROTECTED according to CE regulation.
- \* In case of some models certificated for export, the special cord like CE or UL is added after the existing model no. ex) L9160□XH-CE, L9160□EH-UL.
- \* Insulation class for motors which acquired certificates for export is B.

TERMINAL BOX TYPE REVERSIBLE MOTORS

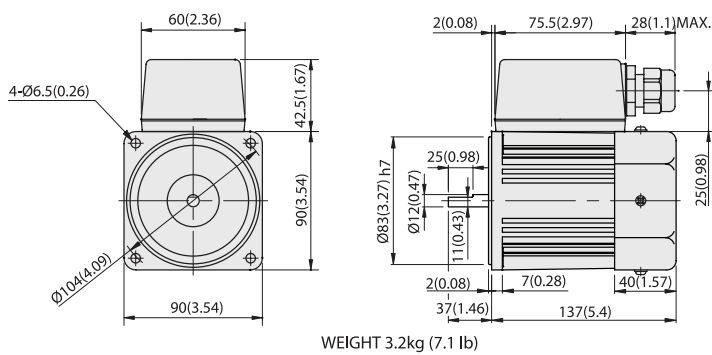
### DIMENSIONS

#### L9R90P□ HTB

Unit : mm(inch)

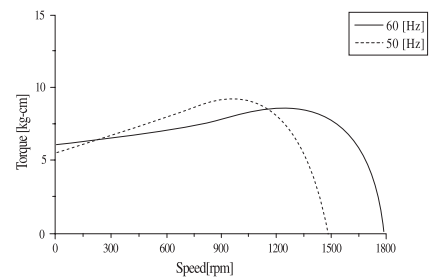


#### L9R90D□ LTB



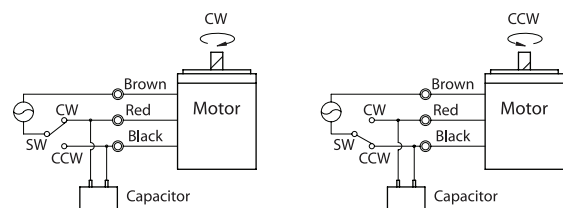
### SPEED-TORQUE CURVE

Three phase L9R90□□ HTB



### CONNECTION DIAGRAMS

Standard or with T.P.



The direction of rotation is seen from the end of motor shaft.

